

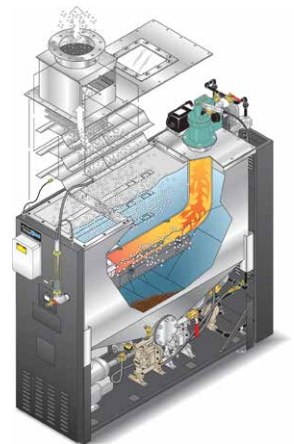
# WB

## EVAPORATION

### ENHANCE ENERGY EFFICIENCY AND COST SAVING

Evaporator applications normally have smaller volumes of wastewaters with characteristics that are too complex and expensive for traditional treatment methods. The process of evaporation is a thermal exchange of heat into the body of water.

The WB series is the first to use the extra-high efficient submerged combustion technology to deliver 100% heat exchanger efficiency sending the heat directly into the water, not up a vent stack, creating significant operational and energy cost savings. There are two models for handling waste streams at 60 and 120 gallons per hour. Featuring top-of-the-line immersion tube jet burner components, with a solid-state flame control monitor, the WB models are capable of creating temperatures of up to 2000°F, releasing hot flue gases directly into the water.



### SUBMERGED COMBUSTION WASTEWATER EVAPORATOR

Waste streams up to 120 gallons per hour

Temperatures up to 2000°F

Top-of-the-line immersion tube jet burner components

Auto purge, auto start/stop and auto fill come standard

Heat-resistant, heavy-duty stainless steel sparger tube

Footprint: WB-120A 68" x 40" x 80"  
WB-50A 75" x 23" x 75"



**ECONOMICAL ALTERNATIVE TO OFF-SITE DISPOSAL**

Water volume reduction using evaporation technology can be an economical alternative to the high costs of off-site disposal of water, which can exceed \$1 USD per gallon. Evaporation costs can be a fraction of off-site disposal costs. Wastewater being hauled off-site is mostly water. Our evaporation systems may achieve up to a 95% volume reduction. This can translate into major costs savings and a quick return on investment for the purchase of the equipment.

**CUSTOMIZE AND ACCESSORIZE**

Accessories enhance the effectiveness of Water Maze Treatment Systems. Water Maze offers a broad selection of add-ons, accessories, parts, and consumables that support the performance of your water treatment systems.

**DETERGENTS, MEDIA AND CONSUMABLES**

Water Maze offers a variety of additives, defoamers and detergents that are compatible with your pressure washer equipment and enhance the effectiveness of pressure washer and water treatment systems. We have a line of quick-release detergents available in 5 and 55 gallons. Filter media such as sand, gravel, and clay, which help provide separation of contaminants in water filtration equipment. We also offer bio-pucks and biostax products for our bioremediation systems, that are designed to alleviate odor in collection pits.

**TECHNICAL DATA**

MODEL	PART NO.	DESCRIPTION	BTU	EVAPORATION TECHNOLOGY	FLOW RATE GPH	EXHAUST STACK	CAPACITY (GAL)	VOLTAGE	PHASE	AMPS	EST. SHIP WEIGHT (LBS.)
WB-120A	1.103-473.0	Wastewater Evaporator	1,142,000	Combustion	1 – 120	12"	170	230	1	22	2,240
WB-50A	1.103-474.0	Wastewater Evaporator	571,000	Combustion	1 – 60	10"	76	230	1	11	1,290

Dimensions (approximate):

WB-50A Shipping: 84" x 41" x 83" Estimated product tare weight: 895 lbs. WB-120A Shipping: 80" x 55" x 81" Estimated product tare weight: 1,690 lbs.

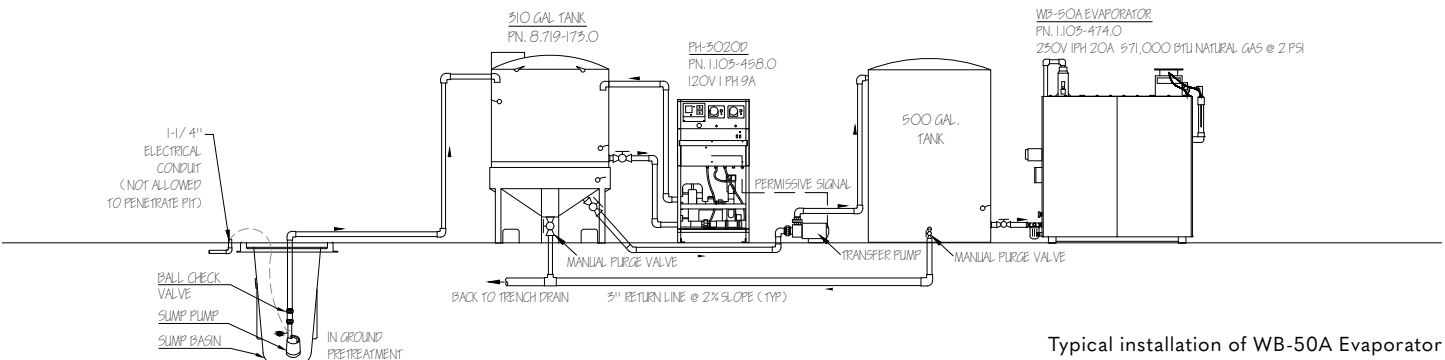
**OPTIONAL ACCESSORIES**

PART NO.	DESCRIPTION
8.906-066.0	Conversion from Natural Gas to Propane † (Requires Qty 2 for WB-120A)
8.903-762.0	Foam Detection System †
<b>WB-120A ONLY</b>	
8.903-729.0	Tank and Tube Conversion to AL-6XN † (WB-120A Only)
8.903-767.0	Wastewater Flame Injection System † (WB-120A Only)
8.717-743.0	12" Flue Pipe Rain Shield (WB-120A Only)
<b>WB-50A ONLY</b>	
8.903-725.0	Tank and Tube Conversion to AL-6XN † (WB-50A Only)
8.903-766.0	Wastewater Flame Injection System † (WB-50A Only)
8.717-742.0	10" Flue Pipe Rain Shield (WB-50A Only)

**WATER ANALYSIS AND KITS FOR EVAPORATION SYSTEMS**

PART NO.	DESCRIPTION
8.750-241.0	Metal Analysis (includes Ag, As, Ba, Cd, Cr, Pb, Se Hg, Cu, Zn, Ni)
8.750-242.0	Base Analysis for Evaporators (includes analysis of pH dissolved and suspended solids, Total Oils & Greases, NP [Non-Polar] Oils & Greases, Anions [Cl, NO3, o-PO4, SO4], Flashpoint, Viscosity, Cations [B, Ca, Fe, K, Mg, Na])
8.750-243.0	VOC Analysis (includes 67 VOC compounds by EPA 8260) for Evaporation Systems
8.719-146.0	Evaporator Waste Stream Sampling Kit

‡ Factory Install Only. † Net price – no dealer discounts; to expedite processing time of wastewater analysis, multiply net price by a factor of 1.5



Typical installation of WB-50A Evaporator